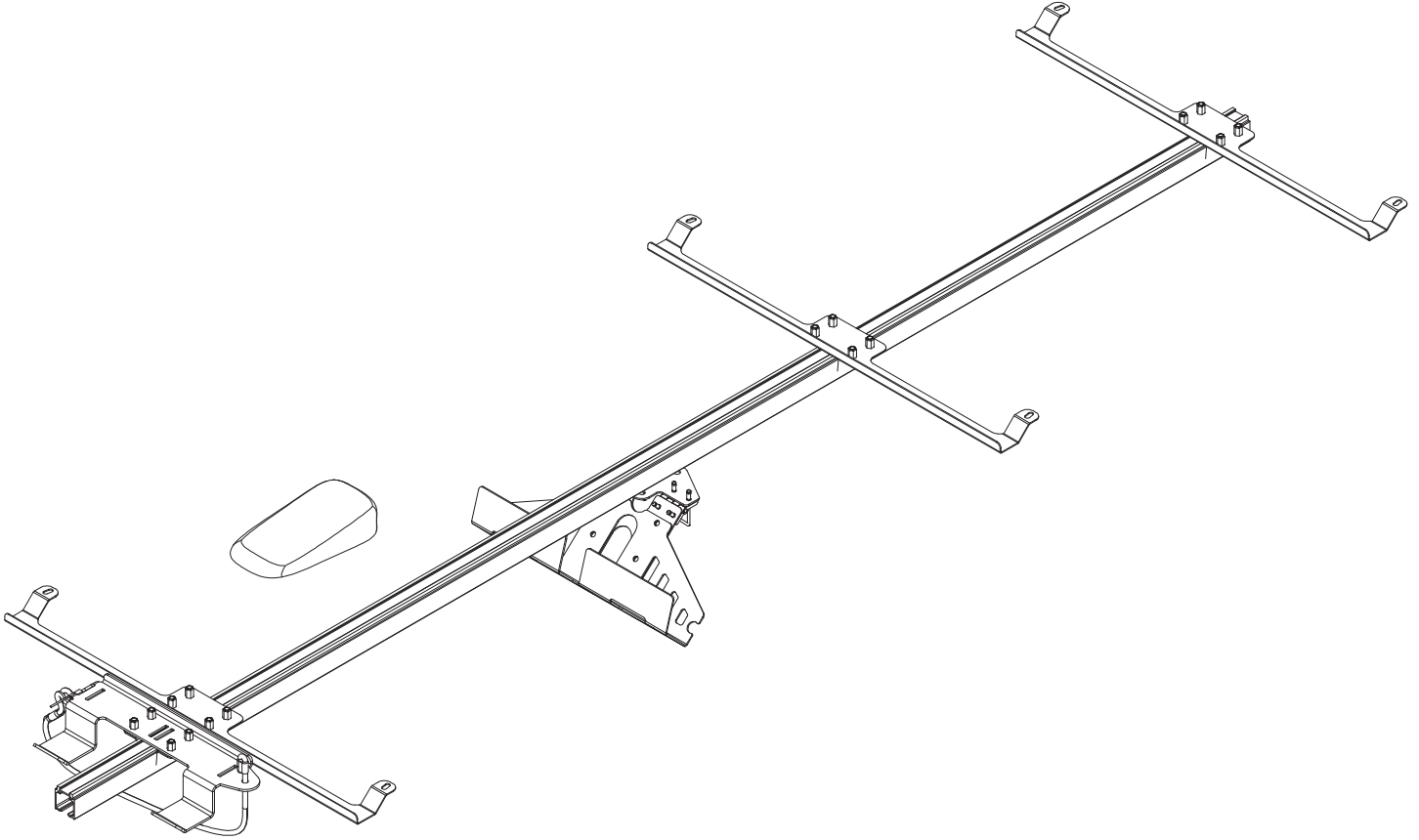


Ford Transit Custom L1 & L2 Smartfloor Stepladder



Installation Manual

Manual 15025140_A

Loyds Industri AS - 2024-11-21

LOYDS

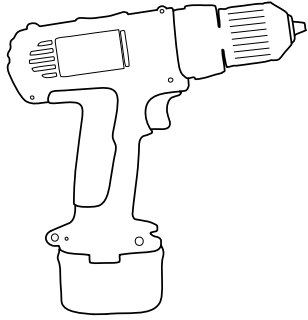
Revision Record

Rev nr	Date	Page	Picture	Update	New	Deleted steps
A	2024-11-21				X	



Use colors when printing this installation manual. / Ved utskrift, bruk farger.

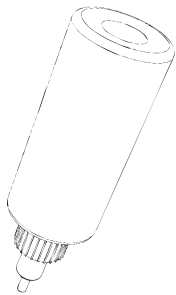
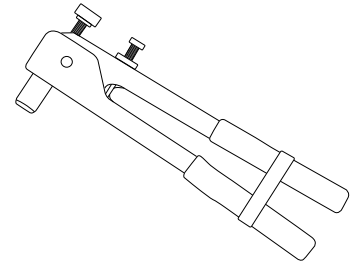
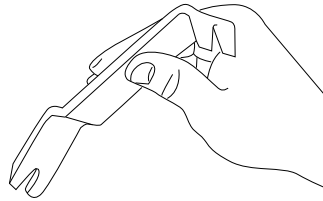
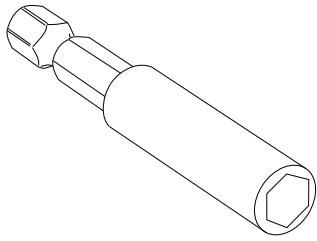
Tools



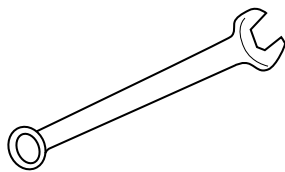
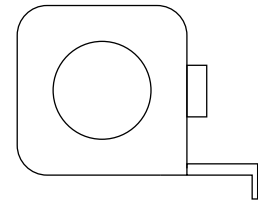
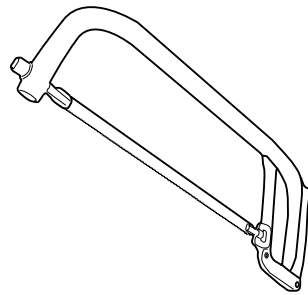
TX10
TX20
TX30



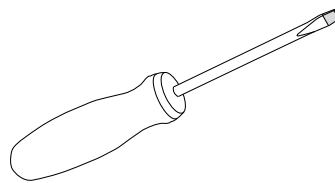
H5



Threadlock



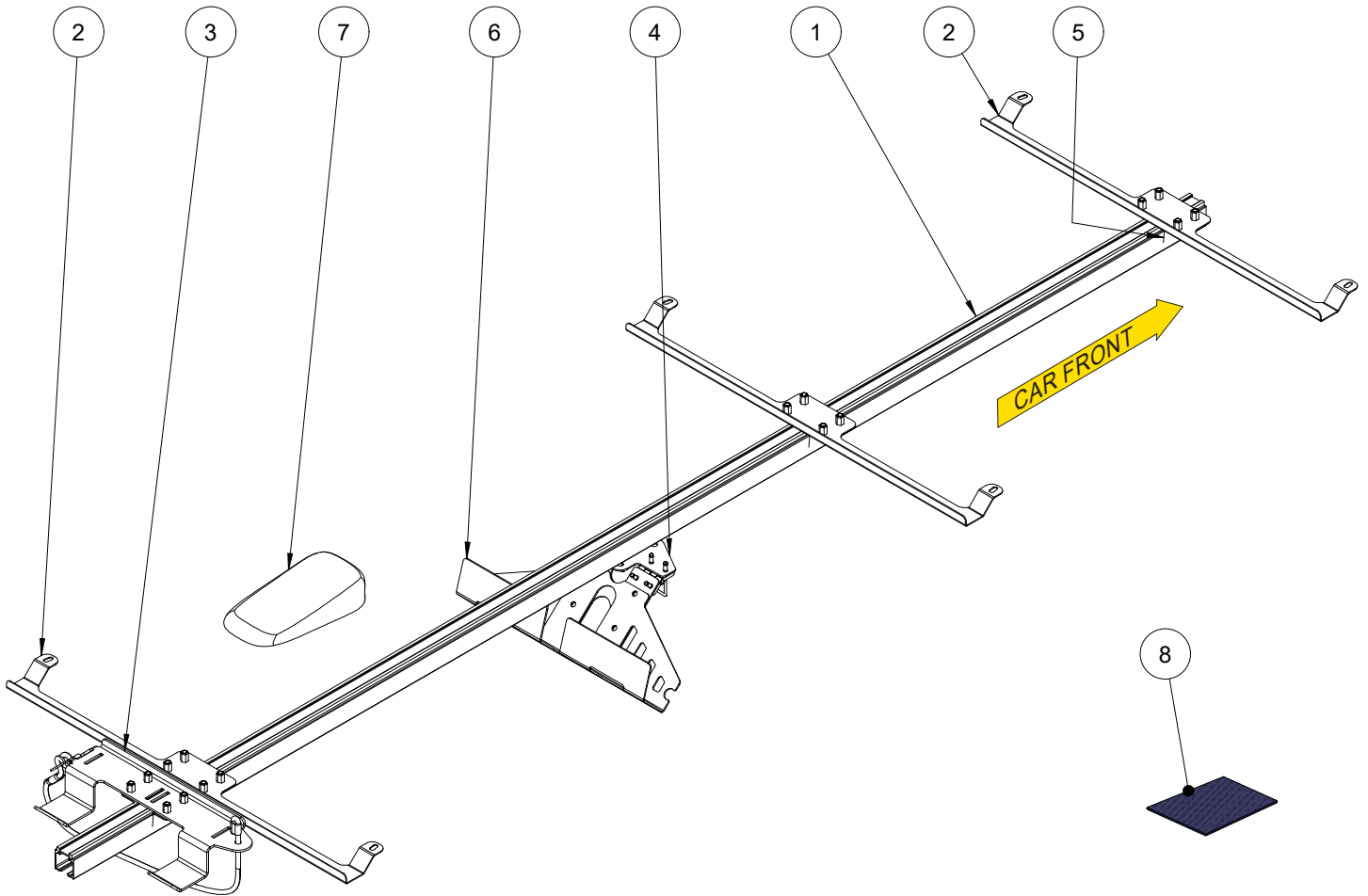
10-13 mm



RECOMMENDED ATTRACTION MOMENTS SCREWS

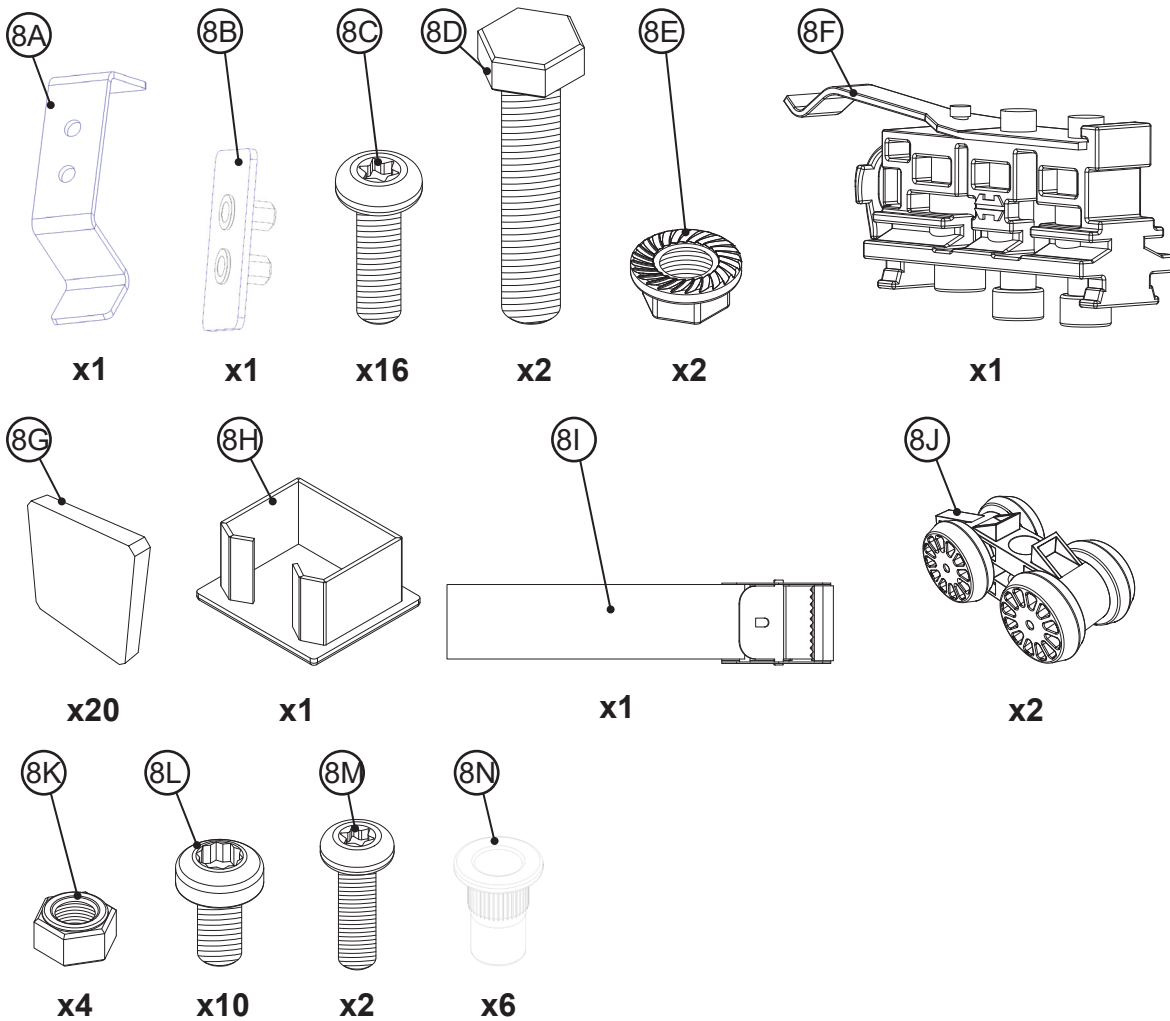
- M3 = 1.3 Nm
- M4 = 3 Nm
- M5 = 6 Nm
- M6 = 10 Nm
- M8 = 25 Nm
- M10 = 50 Nm
- M12 = 85 Nm

15025155 Stepladder 24 Ford Transit Custom 200



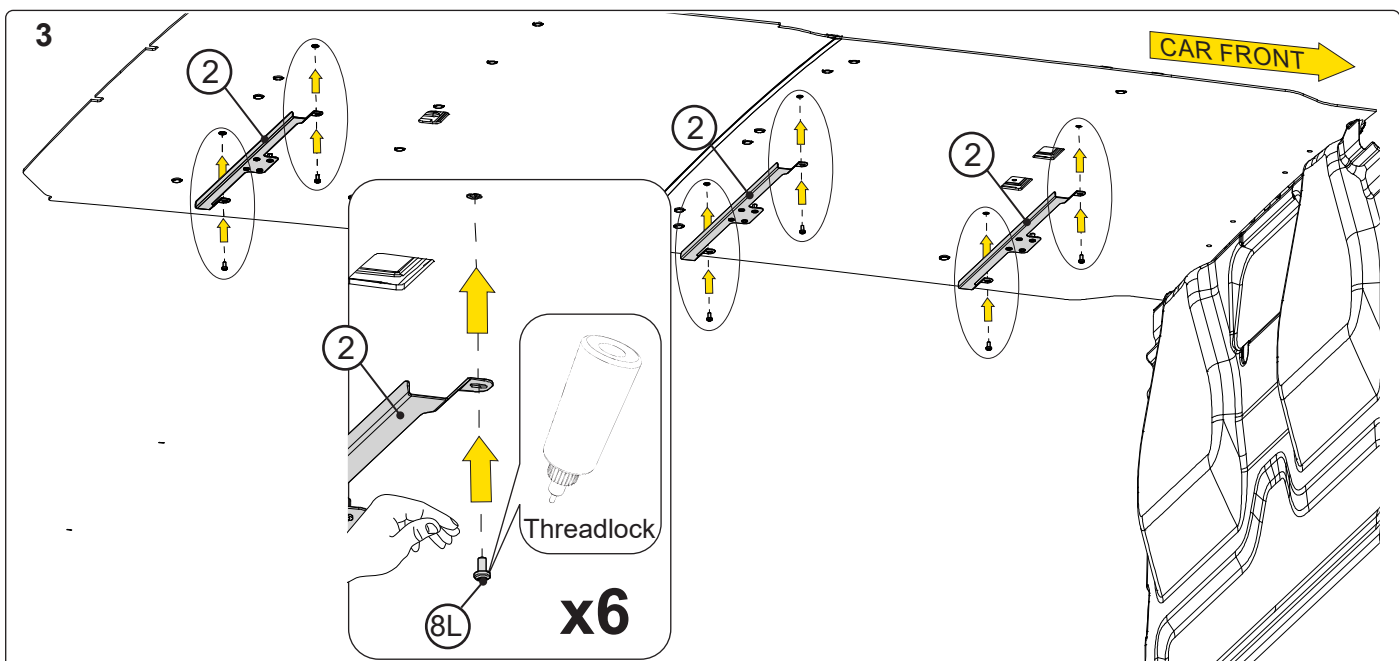
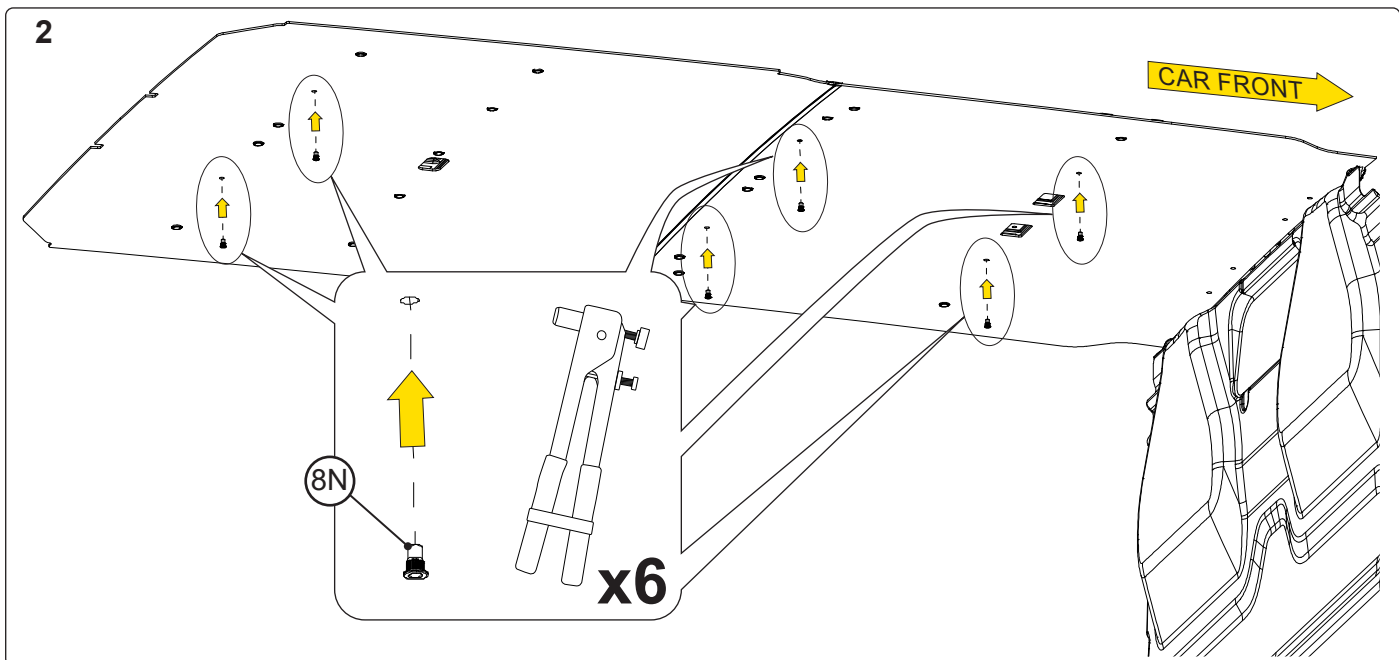
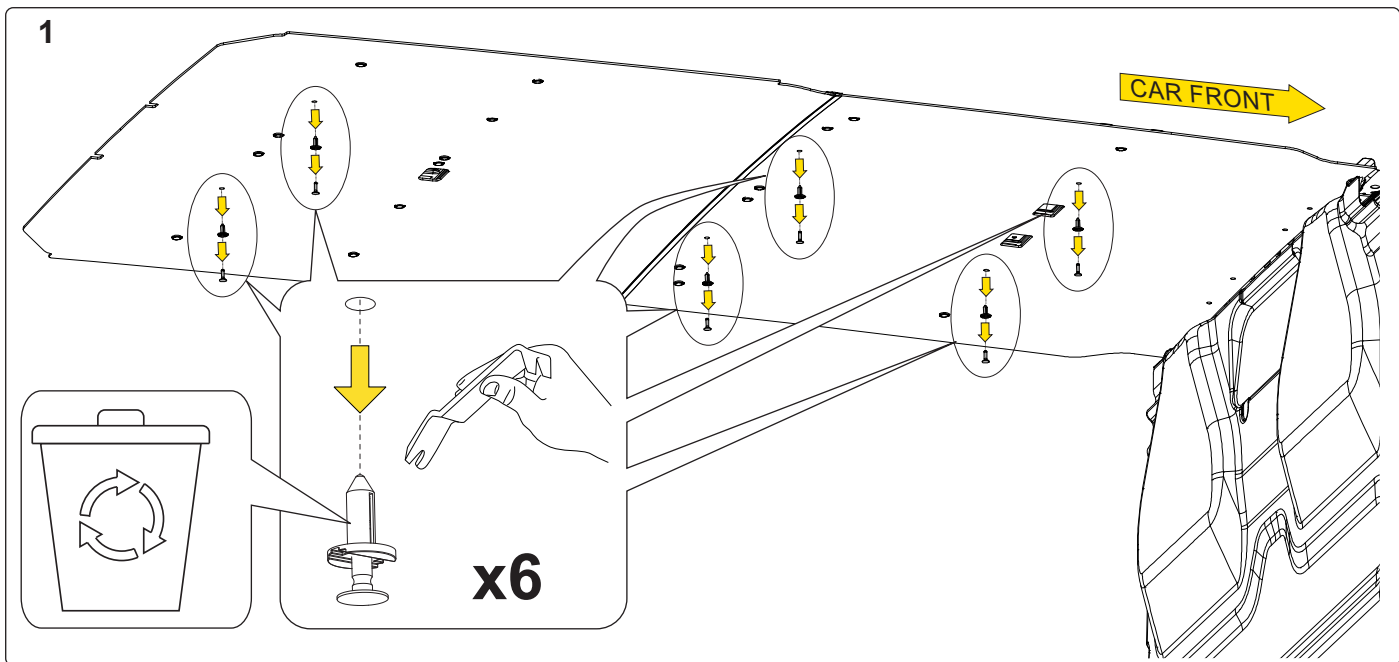
Parts List			
ITEM	QTY	PART NUMBER	DESCRIPTION
1	1	15014079	Stepladder Track Alu 33x35x2000
2	3	15025102	Stepladder 24 Ford Transit Custom Roof Bracket Front Assy
3	1	15015993	Ladder Bracket Rear Internal ASSY
4	1	15015991	Ladder Bracket Front Internal ASSY
5	8	15015949	Track Lock Bracket
6	1	15015979	Ladder Bracket Front Lower
7	1	15025153	Stepladder 24 Ford Transit Custom 200 Sub Assy Fitting Kit
8	1	15025140	IM Stepladder 24 Ford Transit Custom 200

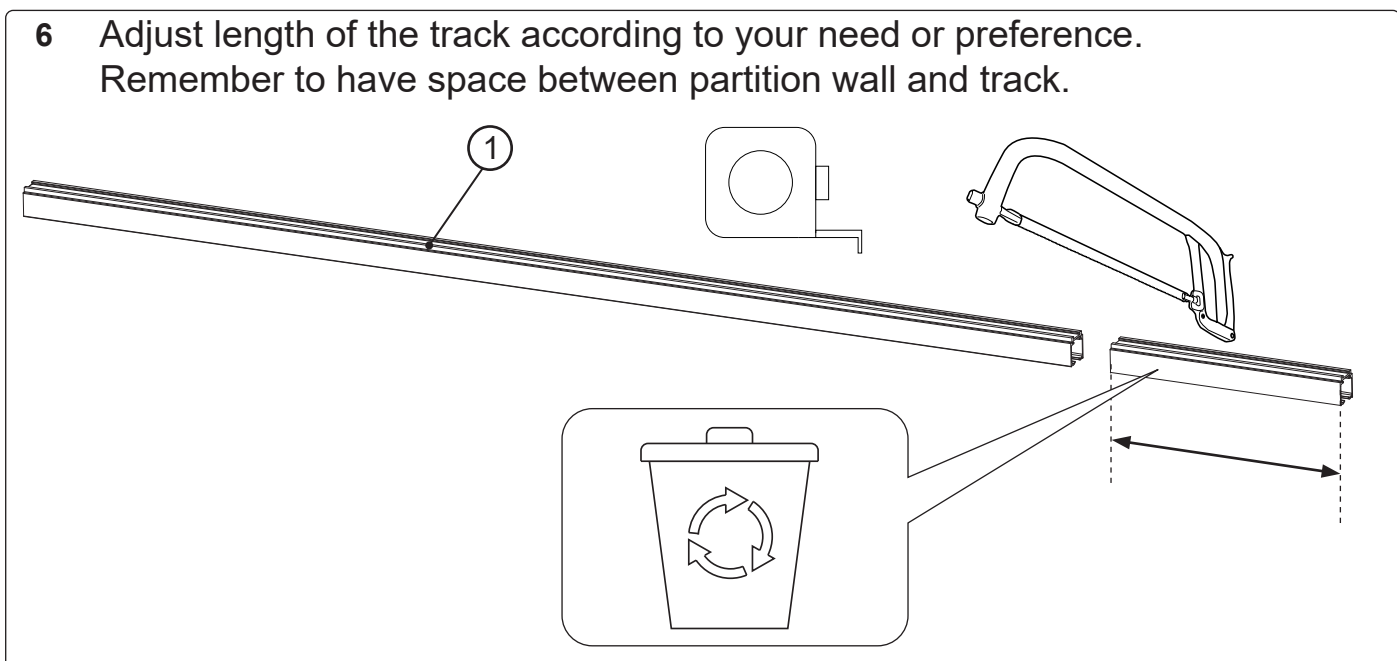
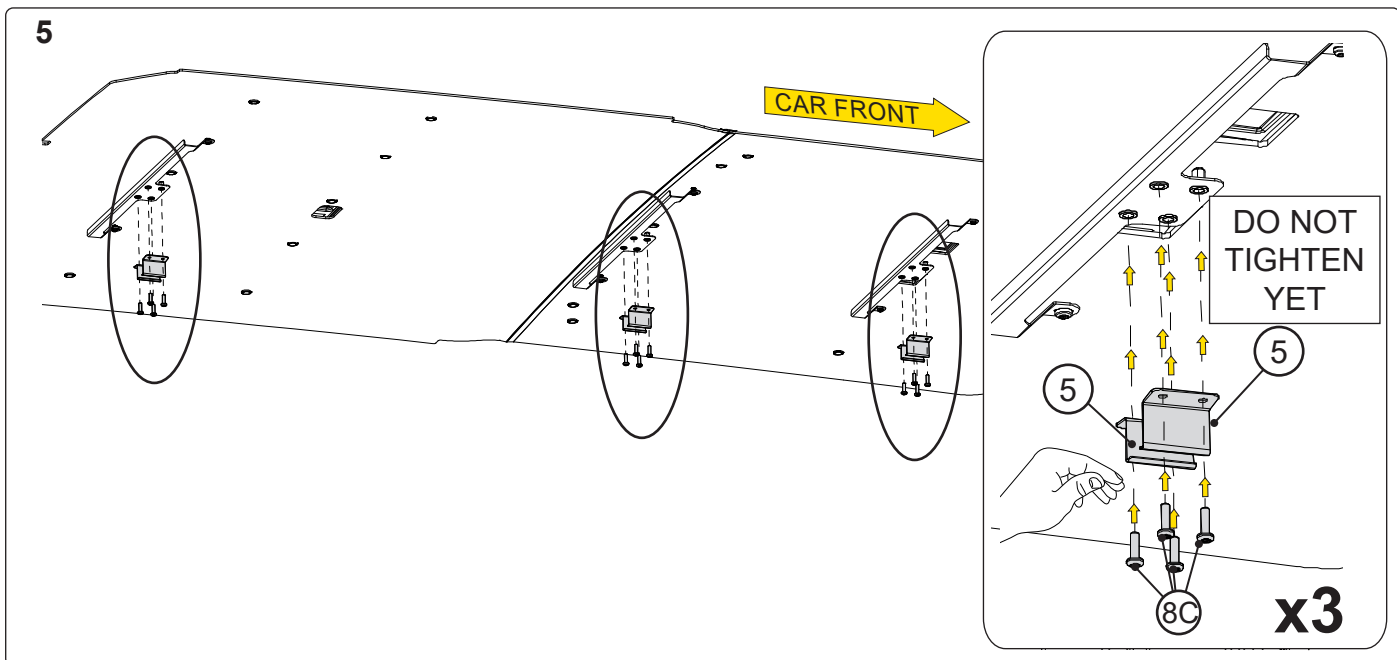
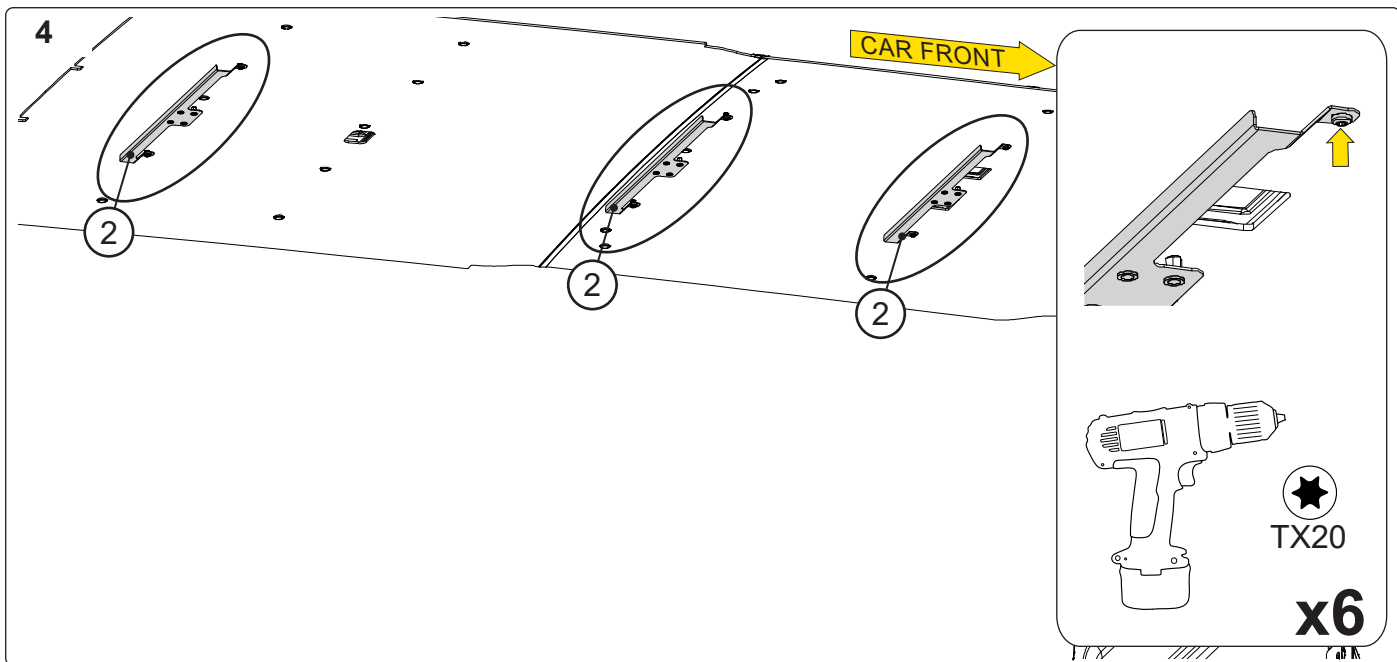
#8 15025153 Stepladder 24 Ford Transit Custom 200 Sub Assy Fitting Kit



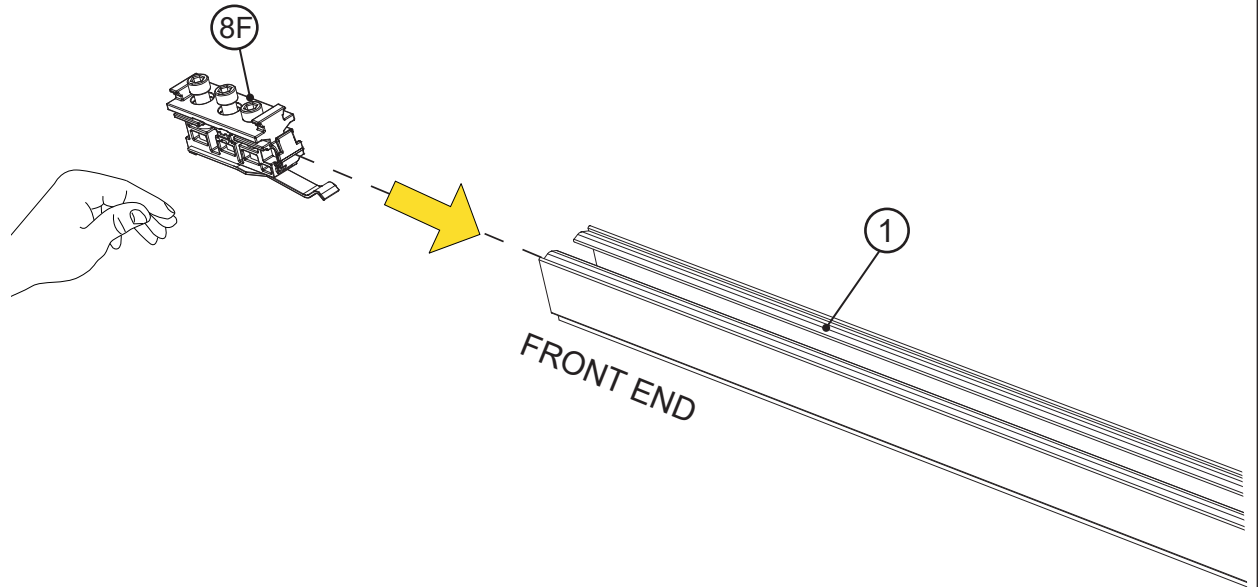
Parts List

ITEM	QTY	PART NUMBER	DESCRIPTION
8A	1	15016002	Ladder Stop Rear
8B	1	15014098	Track Alu Fix Bracket ASSY
8C	16	15007657	Skrue M6x20PA Torx T-30 DIN 7985
8D	2	8x40 6KS	Skrue M8x40 6K Din 933 Sortkrom
8E	2	15015995	Nut M8 Flanged DIN 6923
8F	1	15015996	Stepladder Retaining Stop
8G	20	15001779	20x20x3 Cellegummi 3mm på rull (EPDM selvkleb)
8H	1	15021410	Stepladder ende propp
8I	1	15015982	Stepladder strap assy
8J	2	15014090	Stepladder Roller - Hanger
8K	4	6 NMU	Nut M6 Nylock
8L	10	15009448	Screw M6x12 Panh Torx Elz
8M	2	15004586	M5x20 TX20 pan (DIN 7985)
8N	6	15003550	Blind rivet nut M6 short

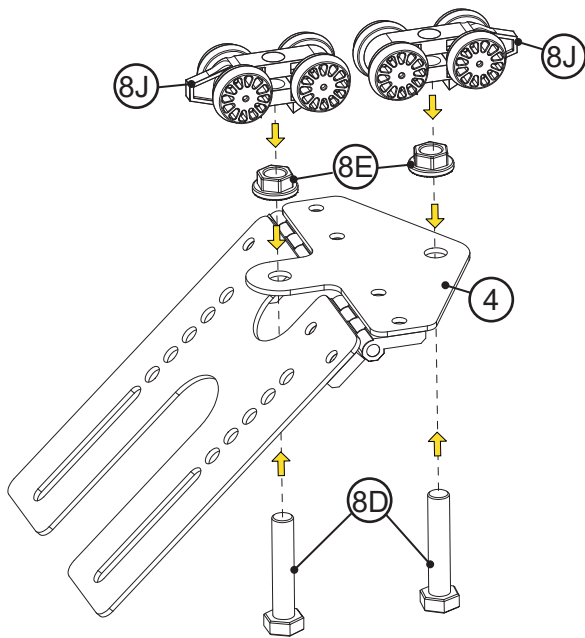




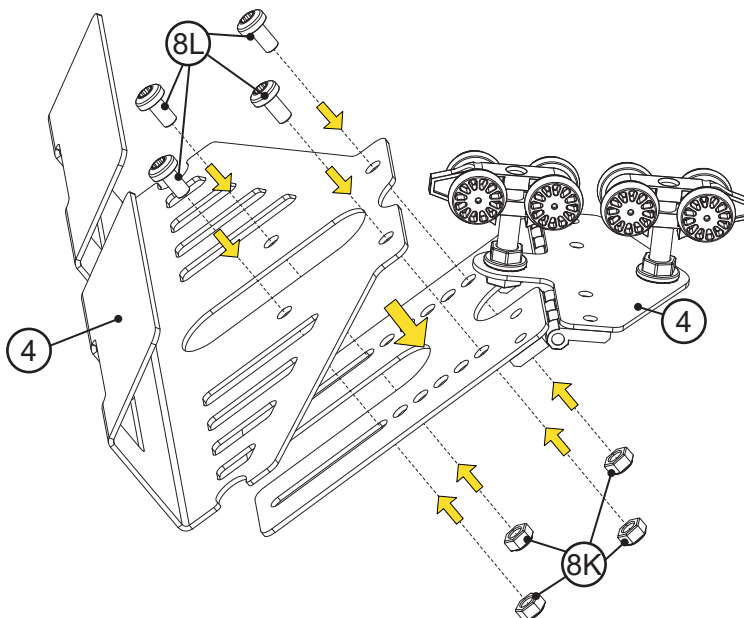
7



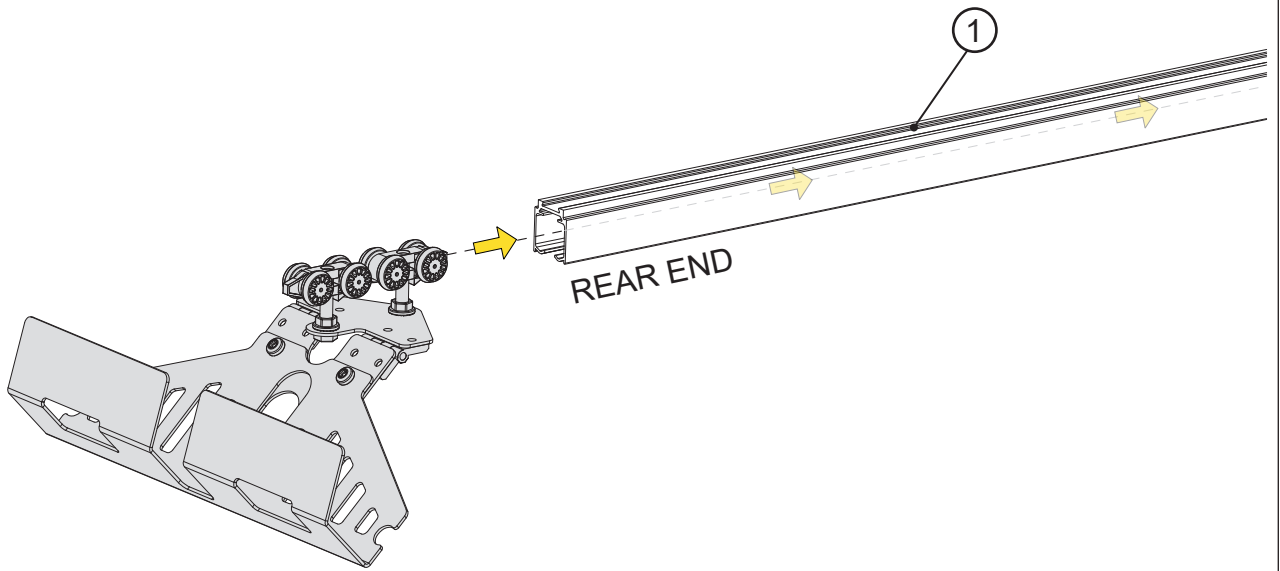
8



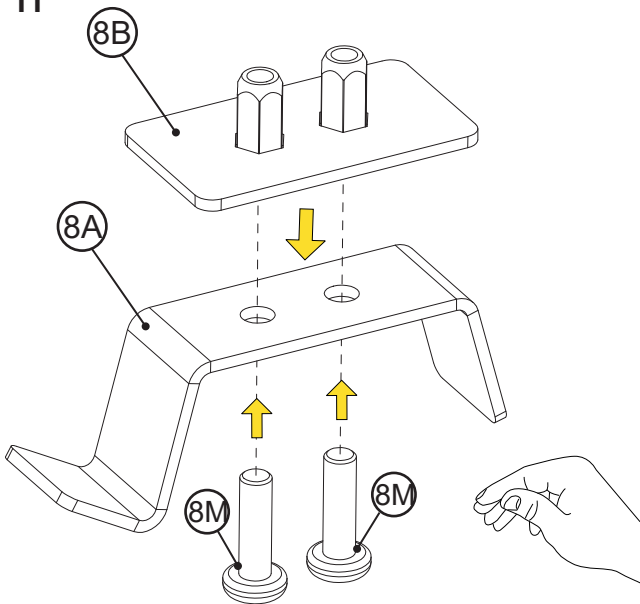
9



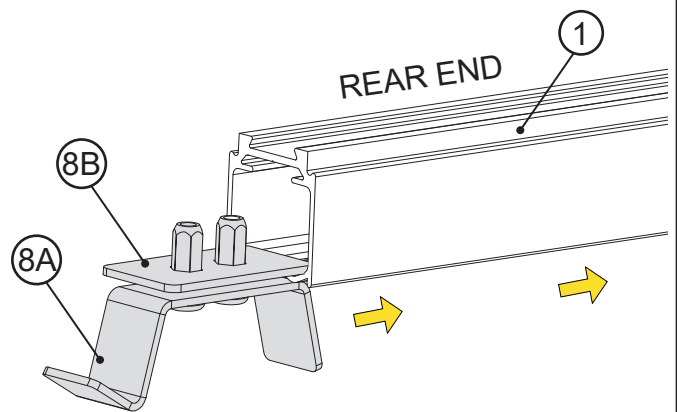
10



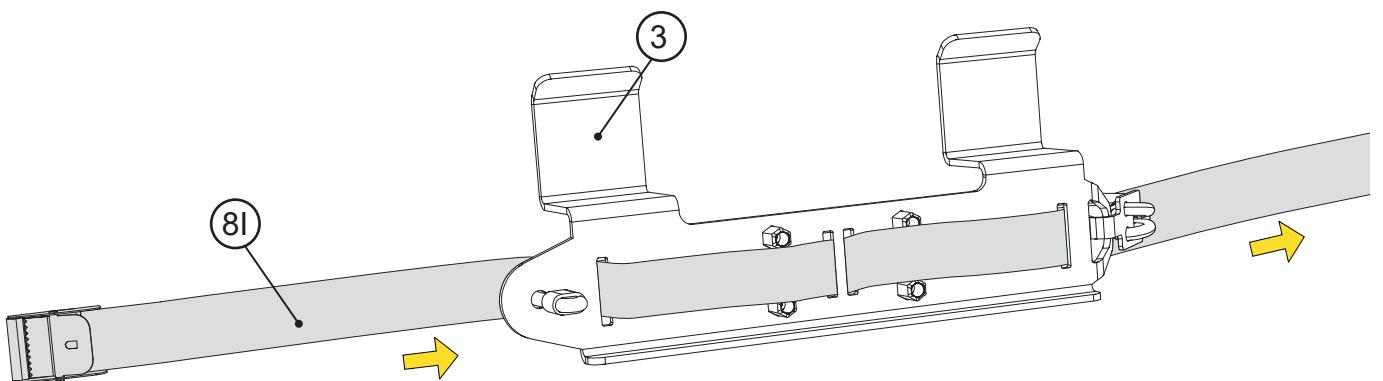
11



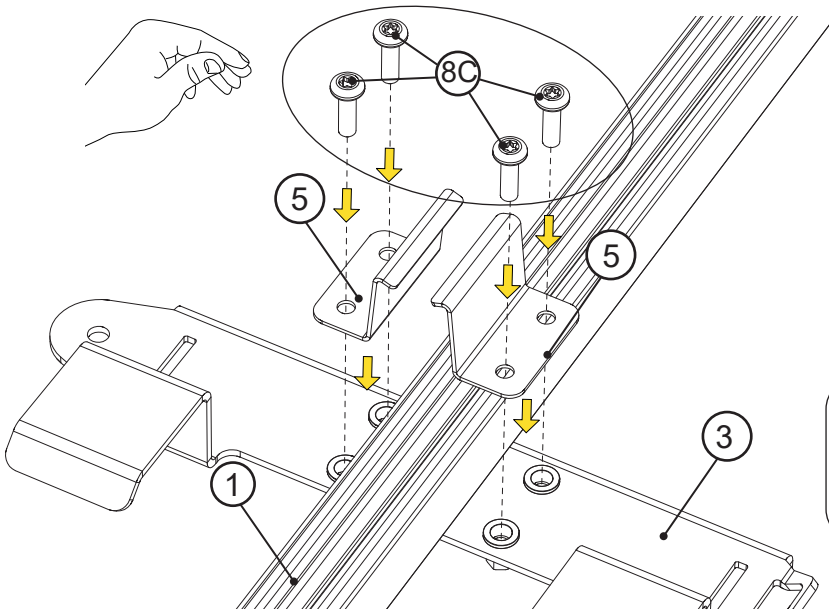
12



13



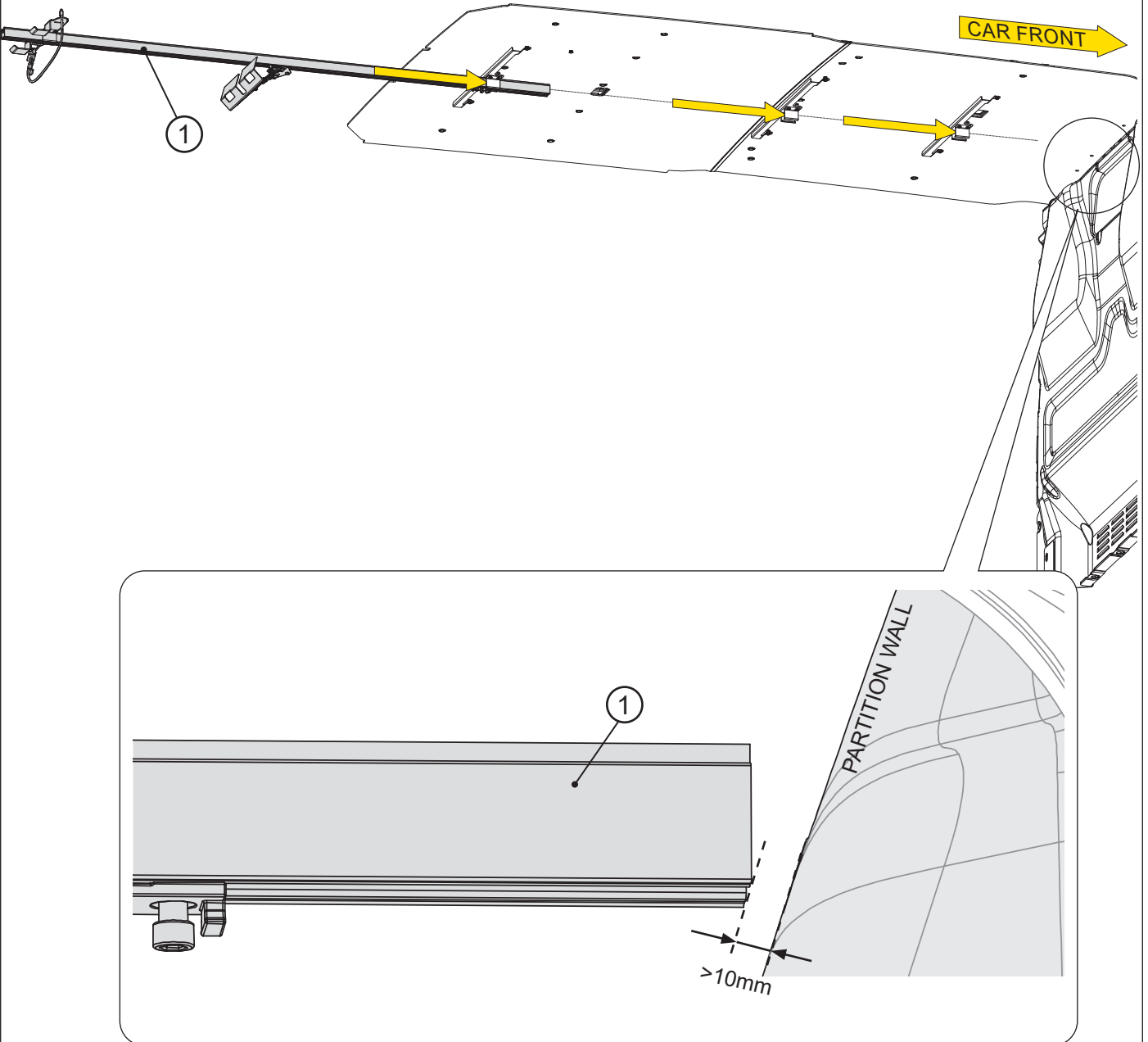
14

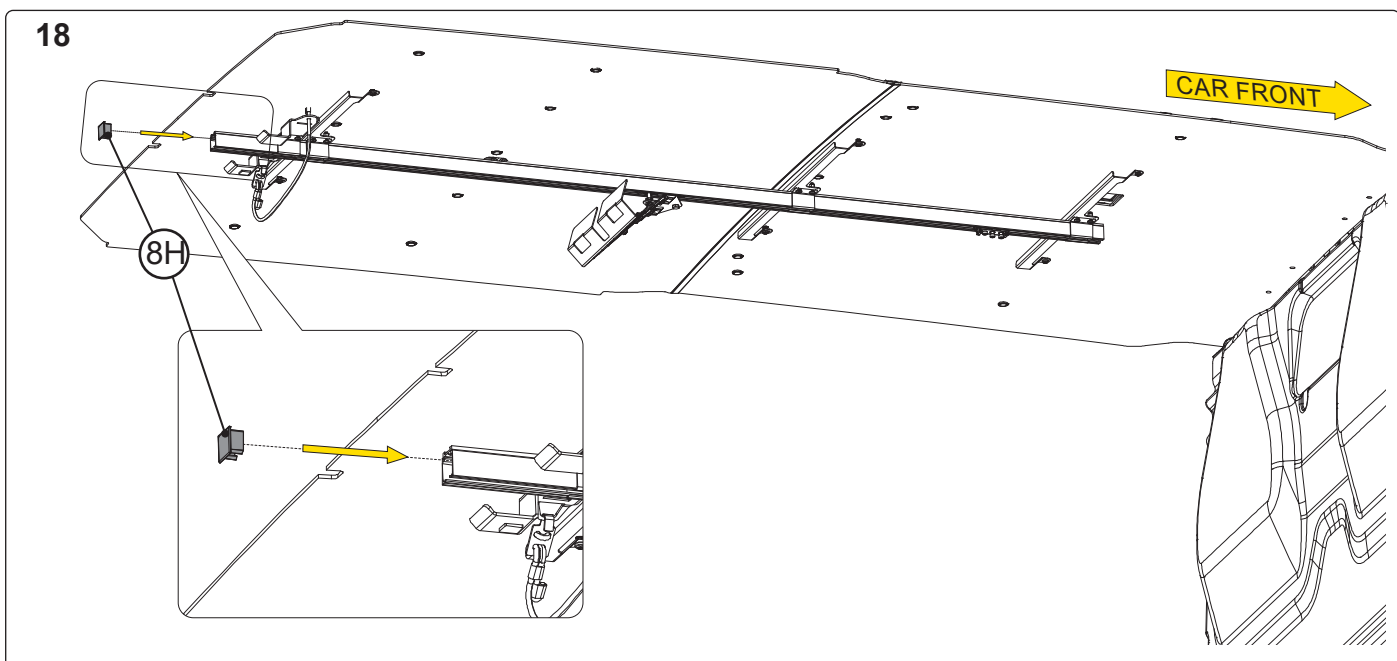
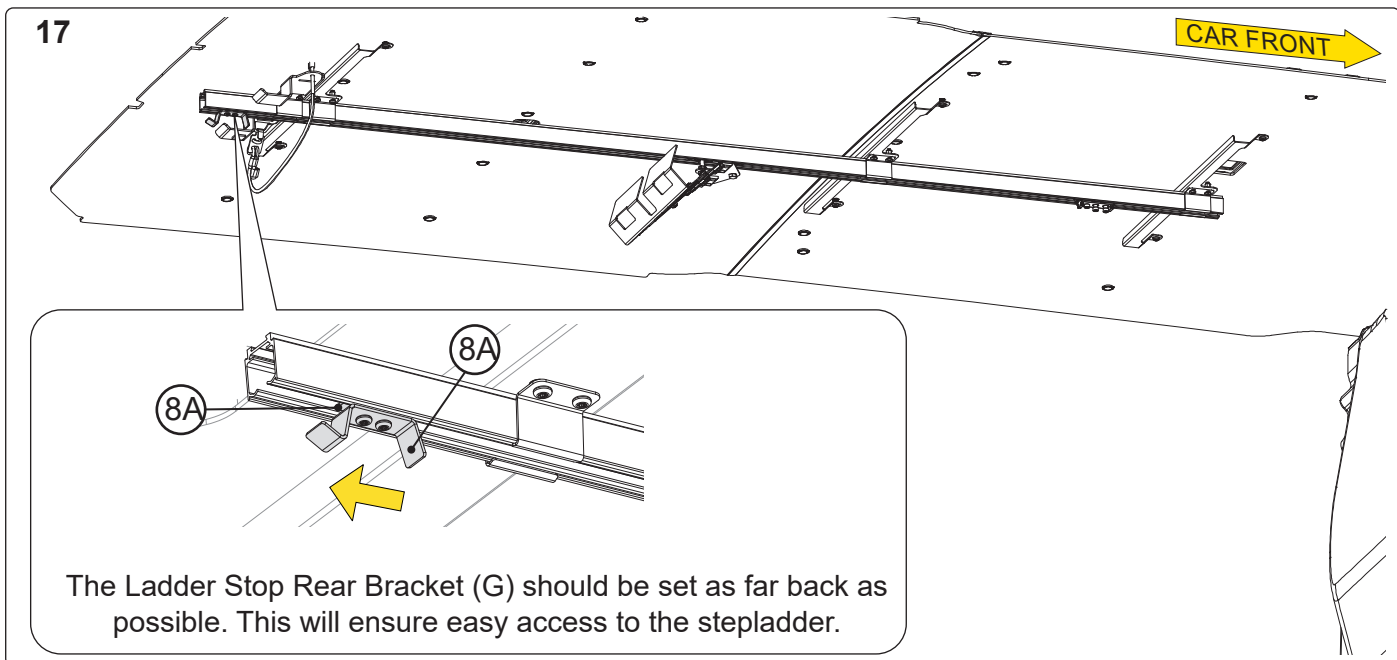
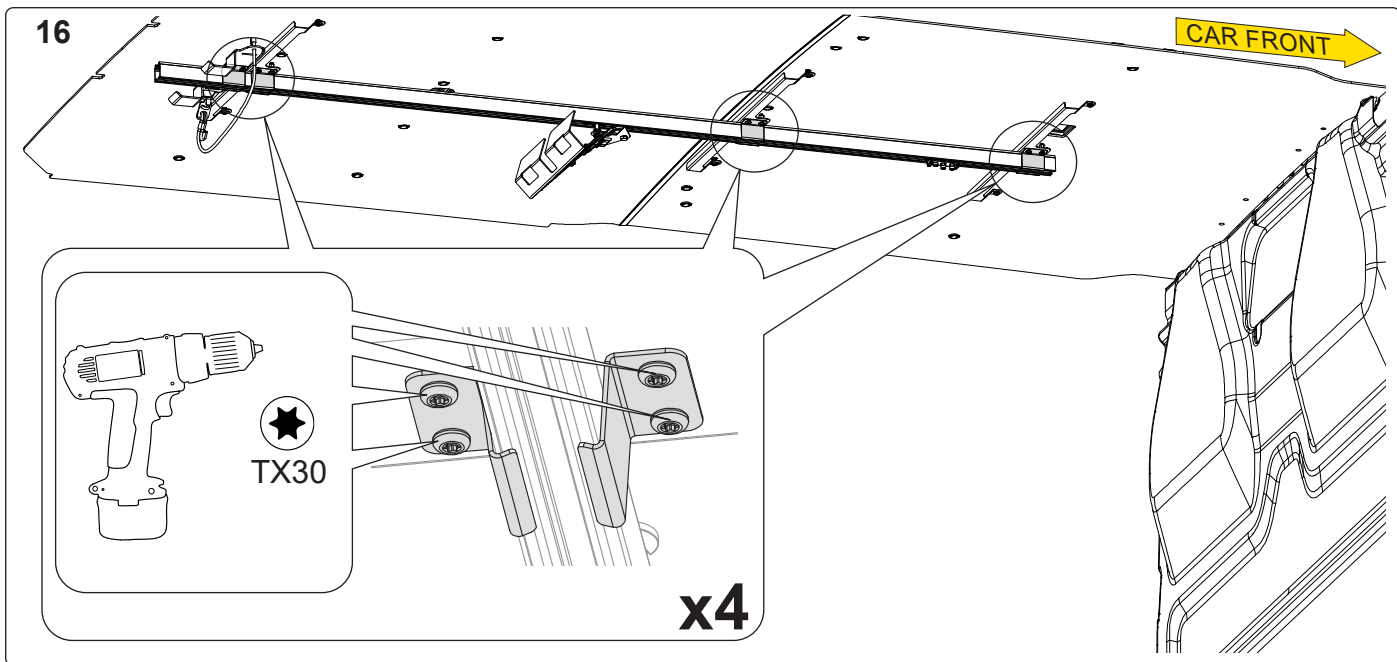


DO NOT
TIGHTEN
YET

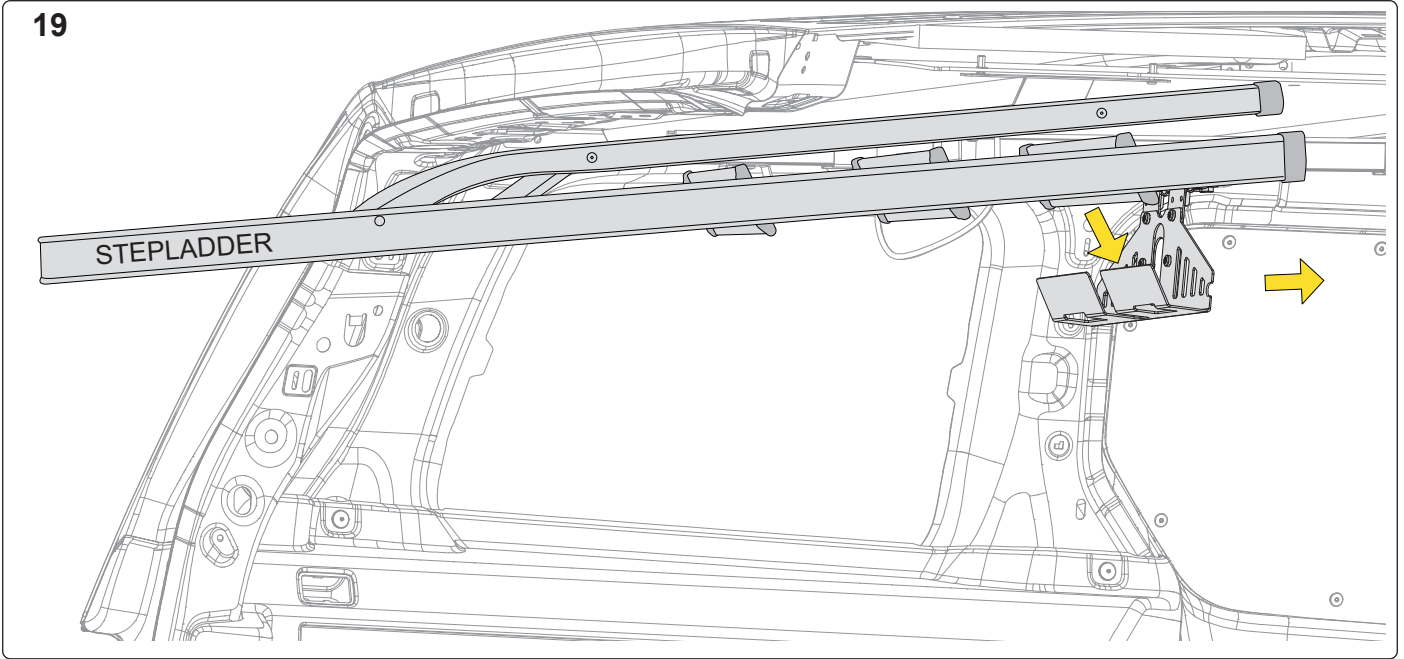
Customize the placement of the
Ladder Bracket Rear Internal Assy
(E) to fit your stepladder.

15 Remember to have space between partition wall and track.

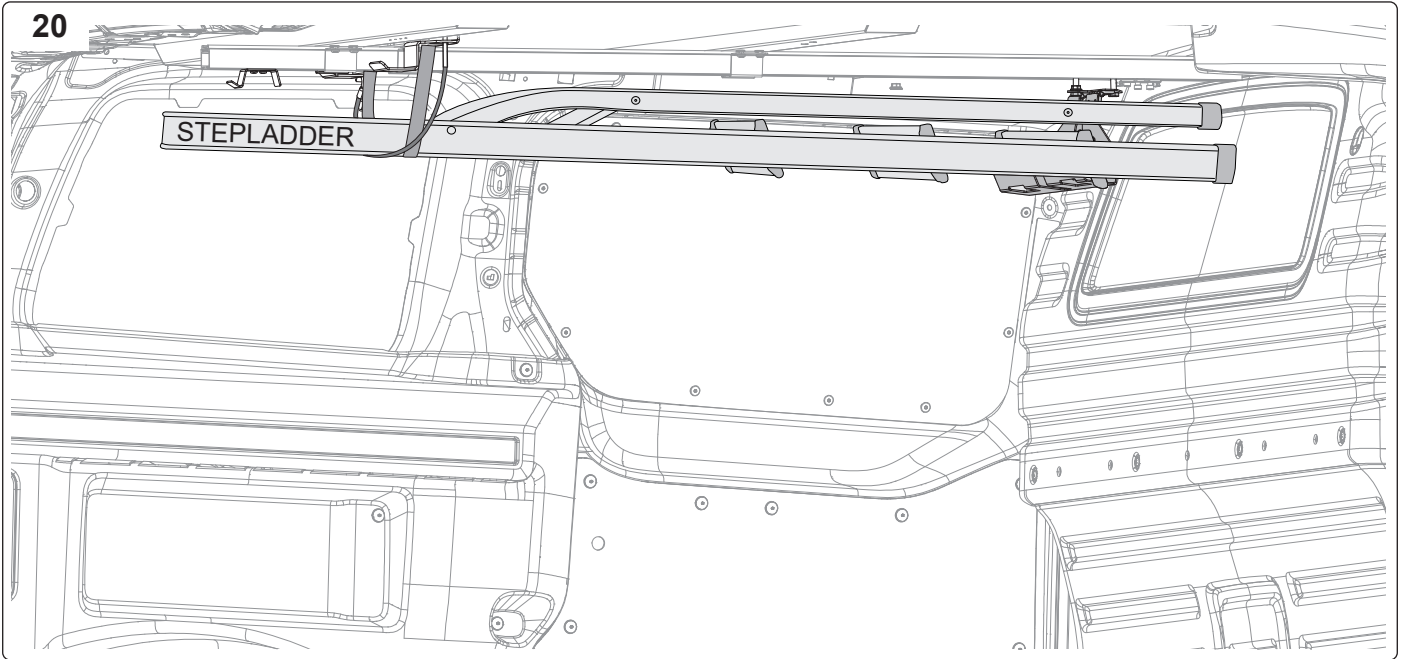




19



20



21

